

Little Couture
by Färg & Blanche



**Little Couture (left) and
Couture armchair (right).**

Little Couture (izquierda)
y butaca Couture (derecha).







BD Barcelona Design

Ramon Turró, 126
08005 Barcelona, Spain
T +34 93 458 69 09
F +34 93 207 36 97
comercial@bdbarcelona.com
export@bdbarcelona.com

bdbarcelona.com

Little Couture

PHOTOGRAPHER
Eugeni Aguiló

Product specifications are for general information only. BD reserves the right to change designs and finishes without prior notice.

Wood Tailoring™

Little Couture is like a prêt-à-porter version of our Couture armchair. It is based on the same swivel base, but with a lower backrest. The wooden part that stops at the armrest level and surrounds the armchair is composed of 2 layers of wood held together with the recognizable stitching going straight through the wood using the unique Wood Tailoring™ technique.

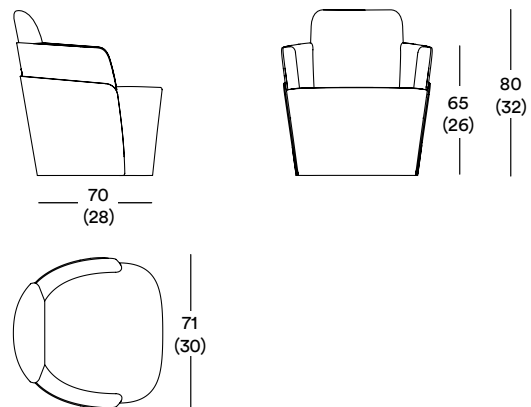
Little Couture es una versión prêt-à-porter de nuestro sillón Couture. Utiliza su misma base giratoria, pero en este caso el respaldo es bajo. La trasera que rodea el sillón está compuesta por dos capas de madera cosidas entre sí utilizando la exclusiva técnica Wood Tailoring™.

Finishes

Solid wooden seat structure and upholstered. Exterior backrest made up of two birch plywood pieces sewn together and stained in a degraded colour. Upholstered in different materials and leathers provided by BD. Optional swivel system.

Acabados

Estructura del asiento en madera de haya maciza, tapizada. Respaldo en madera contrachapada de abedul, teñido con un degradado de color, formado por dos piezas cosidas entre sí con hilo de poliamida. Tapizado no desenfundable en los diferentes tejidos y pieles de BD. Incorpora la posibilidad de un sistema giratorio.



Measurements in cm
(Measurements in inches)

